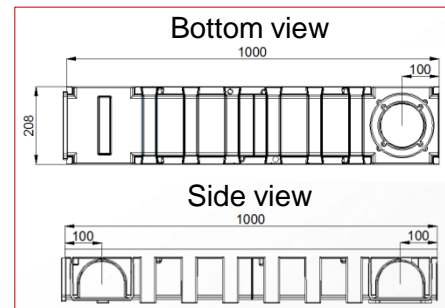
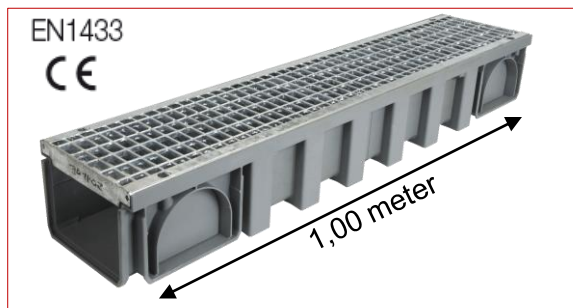
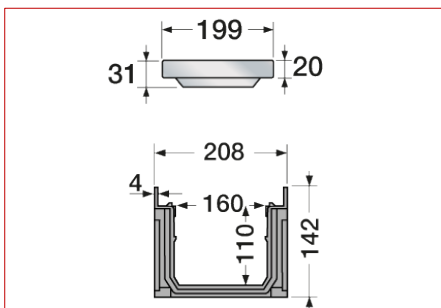


# Connecto® I Channel – Outside width 200mm - with galvanized steel mesh grating class B125

Code : CAN15BC



## FUNCTION :

The drainage channel is designed to drain run-off water. In accordance with EN1433 standard and the marking **CE**, it can be used in footways, pedestrian areas, private car parks or car parking decks in class **B125**.

## DESCRIPTION :

It consists of:

- an injected polypropylene body in light grey colour with male/female interlocking system
- one galvanized steel mesh grating class B125
- 2 screws stainless steel 304 (1.4301) and 2 inserts of zamak bichromate



## ACCESSORIES :

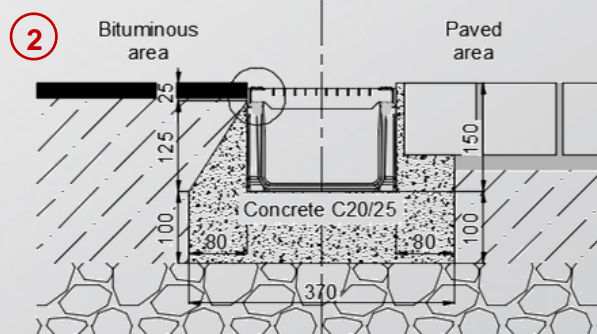
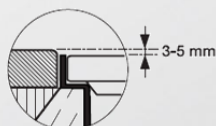
The network connection can be realized thanks to the following PVC accessories :

- end cap/end or lateral outlet Ø100, 110 or 125 : NAT188, NAV188 or NAX188
- vertical outlet Ø100, 110 or 125 : STCAN, SVCAN or SXCAN
- sump unit with outlet Ø100 or 110 : PSCVT or PSCVV



## CHARACTERISTICS :

- Resistance class: B125
- Effective width: 160 mm
- Effective depth: 110 mm
- Grating type: Galvanized steel mesh
- Drainage surface: 1230 cm<sup>2</sup>/ml
- Hydraulic section: 176 cm<sup>2</sup>
- Opening dimensions: 33 / 15 mm
- Weight: 8.2 kg



## IMPLEMENTATION :

1. The channel body makes it possible to carry out 90° angles by interlocking.
2. See the scheme opposite

## QUALITY - ENVIRONMENT :



DATE : July 2015