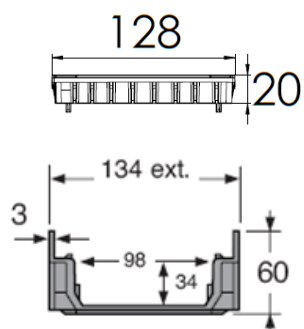




Connecto Shallow channel with "swimming pool" grating

Codes : CAB510APG, CAB510APS



Drainage channel length 0.5m with A15 grey "swimming pool" grating	CAB510APG
Drainage channel length 0.5m with A15 sand "swimming pool" grating	CAB510APS



FUNCTION :

This product is to collect run-off water with "Swimming pools" . It can be used only for pedestrian use in class **A15** Its design allows users to walk barefoot.

DESCRIPTION :

This channel is injected in PVC with a mel/female inrelocking system.
This channel allows lateral connection and/or lateral outlet
It is delivered with a grey or sand-colored "swimming pool" grating injected in PVC with anti-UV treatment.

ACCESSORIES:

- To connect the channels to the underground network :
- PVC end caps or lateral outlet (Ø40) **NAH773**
- PVC vertical outlets (Ø100 or Ø110) **STCAN SVCAN**

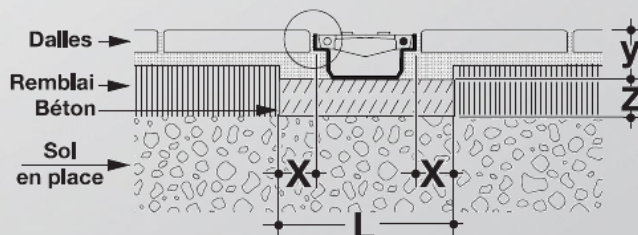
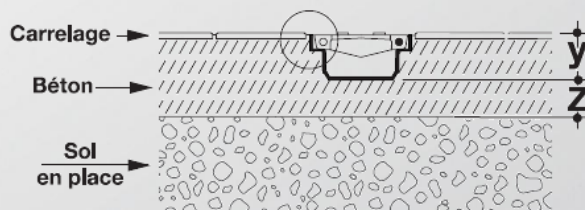


CHARACTERISTICS :

- Resistance class: A15
- Effective width: 98 mm
- Effective depth: 34 mm
- Drainage surface: 232 cm²/ml
- Opening dimensions less than 8 mm
- Weight: 1.05 KG

IMPLEMENTATION:

- X = 50 mm, L =230 mm
- y = 65 mm, Z = 55 mm



QUALITY - ENVIRONMENT :

NICOLL is ISO9001 v2008 and ISO14001 v2004 certified .

DATE October 2012