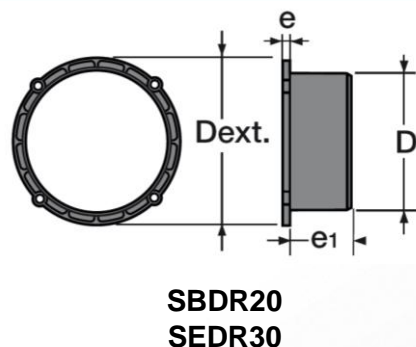
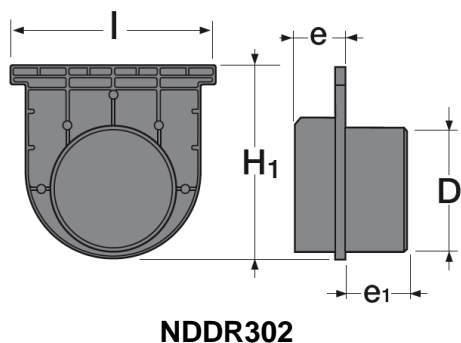


Kenadrain | Accessories for channel width 300

Codes : NDDR302, SBDR20, SEDR30



■ FUNCTION :

Permit an easy connexion of the channel Kenadrain width 300 to the drainage-pipe work.

■ DESCRIPTION :

The vertical and lateral outlets and end/outlet caps are injected in PVC.

■ CHARACTERISTICS :

Code	Type	Øoutlet D	Width l (mm)	Height H ₁ (mm)	Thickness e (mm)	Thickness e ₁ (mm)	Ø D _{ext} (mm)
NDDR302	End/Outlet cap	250	347	348	55	100	
SBDR20	Lateral	200			12	78	216
SEDR30	Vertical	315			15	130	355

■ IMPLEMENTATION OF THE OUTLET :

- To install a vertical or lateral outlet :
 - The lateral and/or vertical openings are uncapped with a hammer stroke.
 - The connecting pieces are screwed to the channel before implementation.
- To realise an outlet at the end of the channel :
The end/outlet cap is uncapped with a hammer stroke.

■ IMPLEMENTATION OF THE END/OUTLET CAPS :

- End/outlet caps are implemented by nesting in the channel. We ensure to block it in place with concrete or a temporary device.



■ QUALITY - ENVIRONMENT :

ISO 9001
ISO 14001
BUREAU VERITAS
Certification



DATE : September 2013