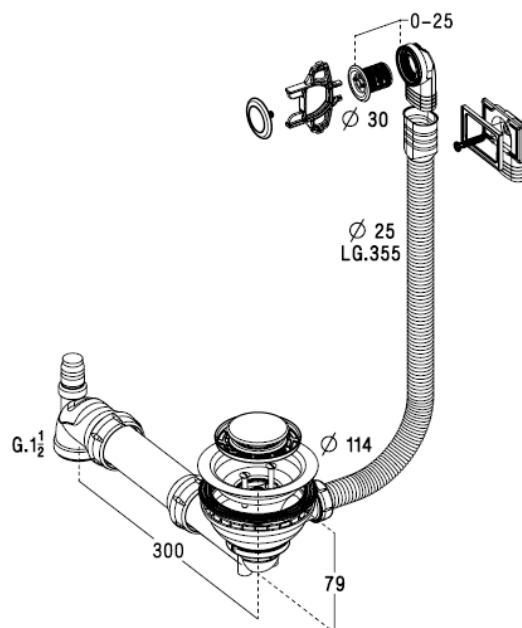




0224336 / 518R

SINK WASTE D90 WITH SPACE SAVING PIPE



FUNCTION :

Waste with basket strainer to drain all kinds of kitchen sinks with D90mm hole

TECHNICAL FEATURES :

Description :

- Manual rotative opening / closing for the basket strainer
- Rear outlet with space-saving pipe
- Round overflow with plastic roset (chrome-plated) & rectangular overflow without roset with screw & seal
- Connector for washing machine

Materials :

- Waste body & pipe : **recycled polypropylene** (Black color)
- Plate & basket strainer : stainless steel
- Overflow roset : ABS chrome
- Washers : EPDM / soft PVC / thermoplastic elastomer

Dimensions :

- Length of space-saving pipe : up to 300mm (can be cut)
- Tightening thickness for overflow : from 0 to 25mm
- Outlet connection : 1"1/2
- Flow rate : 34,8 l/min under 120 mm water load height

PACKAGING :

Recycled cardboard box